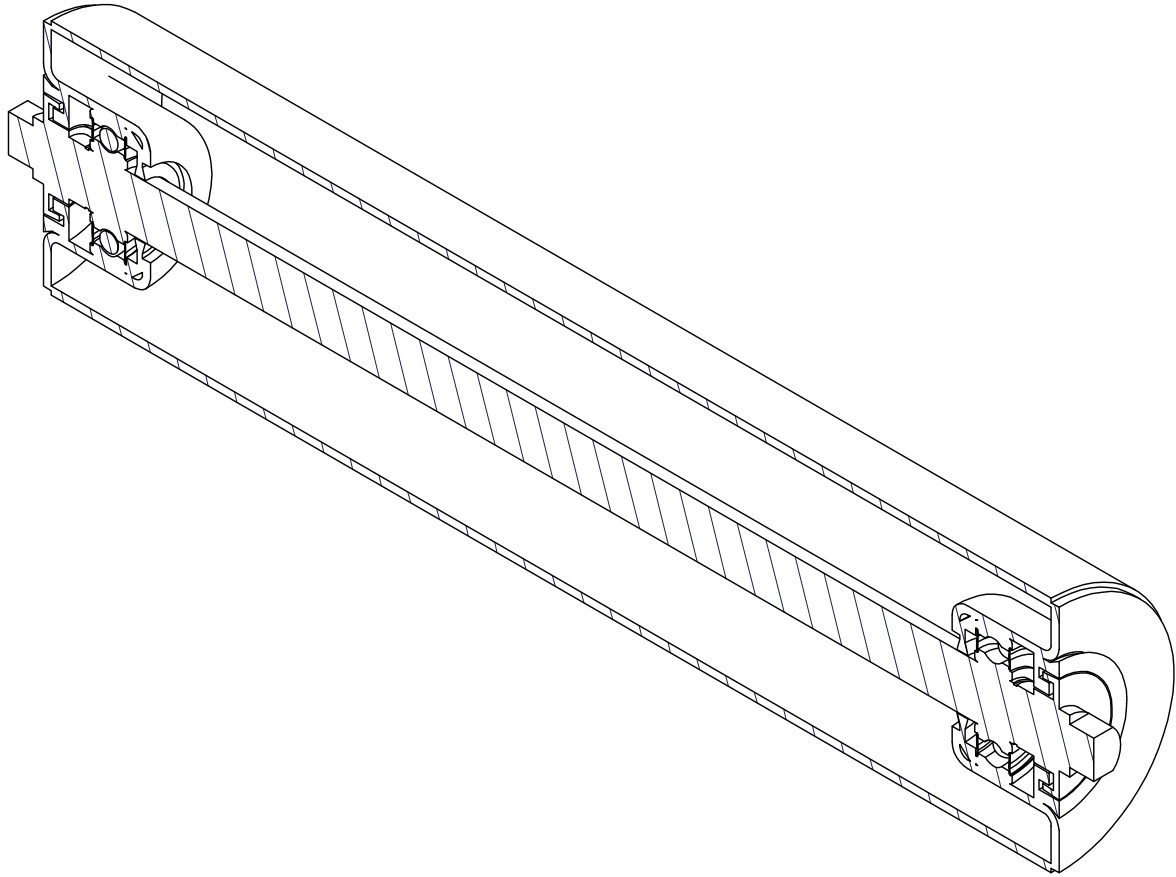
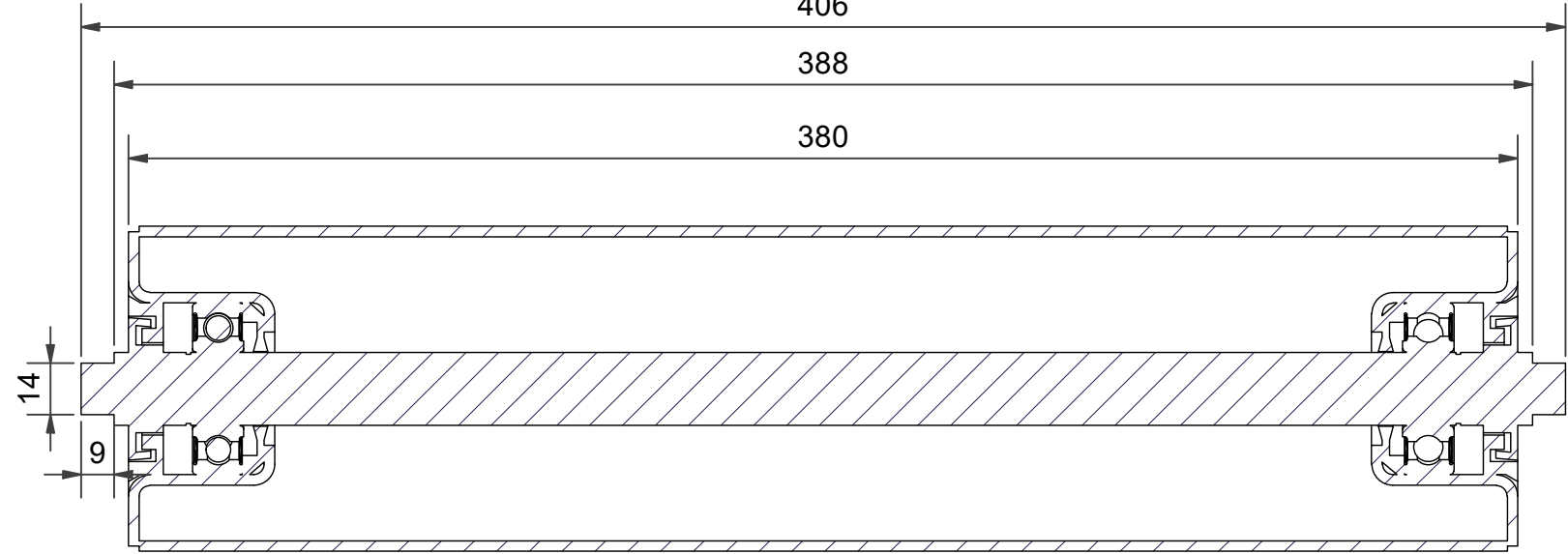
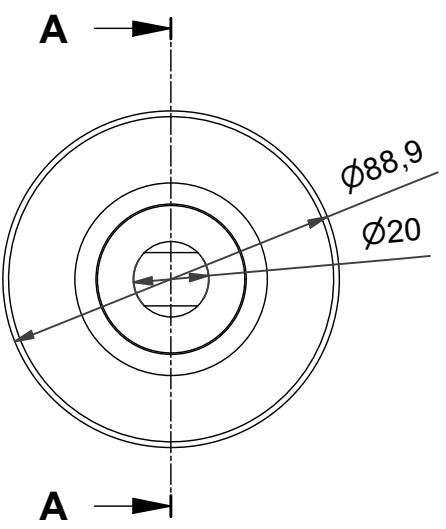


A-A (1 : 2)

406
388
380



Note:	Customer:		
	Customer reference no.:		
	Title: Gurtec rulle Ø89x380x388x406-Ø20 2NV14	Pcs.:	
		Weight:	4,2 kg
	Title: Roll Steel	Scale:	1 : 2
	Format:	A3	
Vendor:	Order no.:	3D: BP - 12.04.22. 14:20 2D: BP - 21.04.22. 10:11	
Skanroll A/S <small>Slussi 14 - Levring - DK-8620 Kjellerup</small> <small>This drawing is the property of Skanroll A/S, and may not be given to or shown to any third party without written authorization from Skanroll A/S. All rights reserved.</small>		Part number:	Rev.:
		80638	