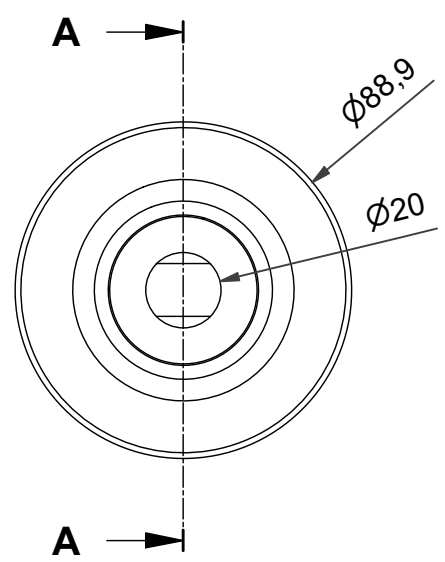
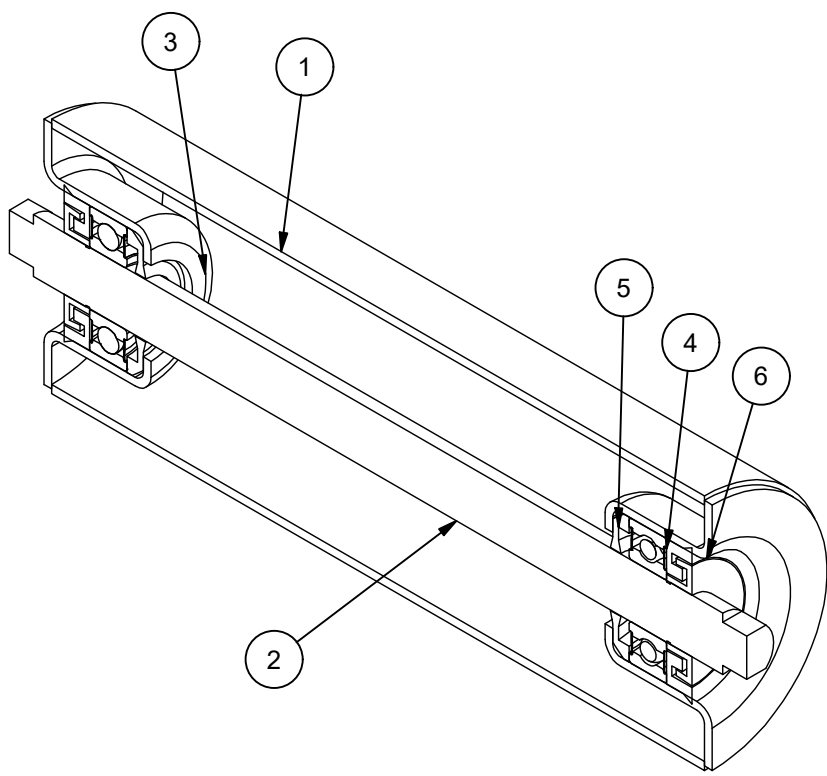
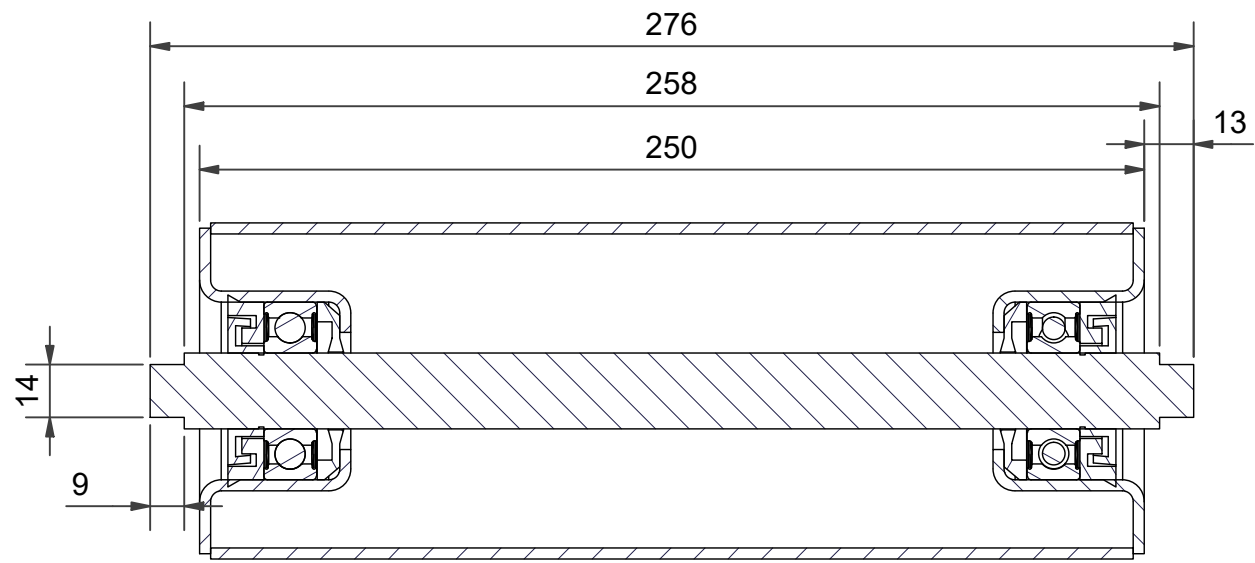


6 5 4 3 2 1




**A-A (1 : 2)**



1	1	80000-1	Rør for rulle
2	1	80000-2	Aksel
3	2	90004	Lejehus 89/20
4	2	90050	Leje
5	2	90075	Ekstra tætning Ø20
6	2	90107	Skarroll Labyrint tætning
Pos.	Stk.	Part nummer	Titel

Note:  
 Alm leje.  
 Labyrint tæt.  
 Sort malet

Customer:		Customer reference no.:	
Titel: Rulle 110-03 Ø89/2,6x250x258x276-Ø20 2NV14 L=9		Pcs.:	<b>1</b>
Title: Roll Steel		Weight:	2,9 kg
Vendor:		Scale:	1 : 2
 Skanroll A/S Slussi 14 - Levring - DK-8620 Kjellerup <small>This drawing is the property of Skanroll A/S, and may not be given to or shown to any third party without written authorization from Skanroll A/S. All rights reserved.</small>		Format:	A3
		Order no.:	3D: LSA - 13.03.24. 13:42 2D: LSA - 13.03.24. 13:42
Part number:		Rev.:	
<b>80073</b>			

6 5 4 3 2 1